



FREE TO SHINE

HYBRID 365

LED SOLAR AREA LIGHT
COMPARES TO 250W HID

NEW! Solera Solar Lighting Hybrid 365 introduces game-changing technology to leverage both solar and line voltage to power bright LED area lights, all night - every night. Hybrid 365 has an intelligent control module that knows to switch from cost-free solar power to line voltage only when the battery is depleted. Solera Solar Lighting's unique all-in-one design delivers high performance, ease of installation and adjustability – unlike any other solar lighting.



- Hybrid 365 area light switches from cost-free solar to line voltage, only when the long-lasting battery is depleted
- All-in-one design
- Exclusive long-lasting battery withstands extreme temperatures
- Easy to install and operate
- Adjustable solar panel — multiple mounting and lens types available
- Fixture Operating Temperature Range = -40F to 140F
Battery Charging Temperature Range = -4F to 140F



PART #	UPC	COMPARABLE TO	WATTAGE	LUMENS	CCT	EPA
SL-SAL-HYB-30W-40K-SF-BK-G1	844006049805	250W	30W	5900	4000K	4.45



solera-solar.com • 847.380.3540

LIGHT EFFICIENT DESIGN HEADQUARTERS 188 S. Northwest Highway • Cary, IL 60013
INNOVATION & MANUFACTURING CENTER 30 Log Bridge Road, Building 200 • Middleton, MA 01949
847.380.3540 • led-llc.com

06.02.20 Information is subject to change without notice.



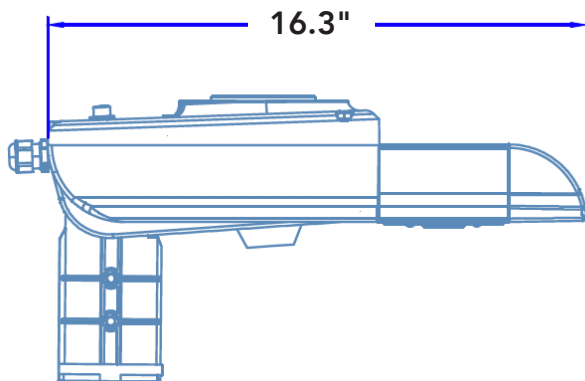


FREE TO SHINE

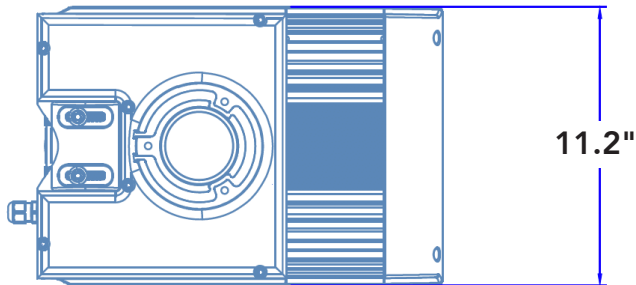
HYBRID 365

LED SOLAR AREA LIGHT
COMPARES TO 250W HID

Fixture Side View

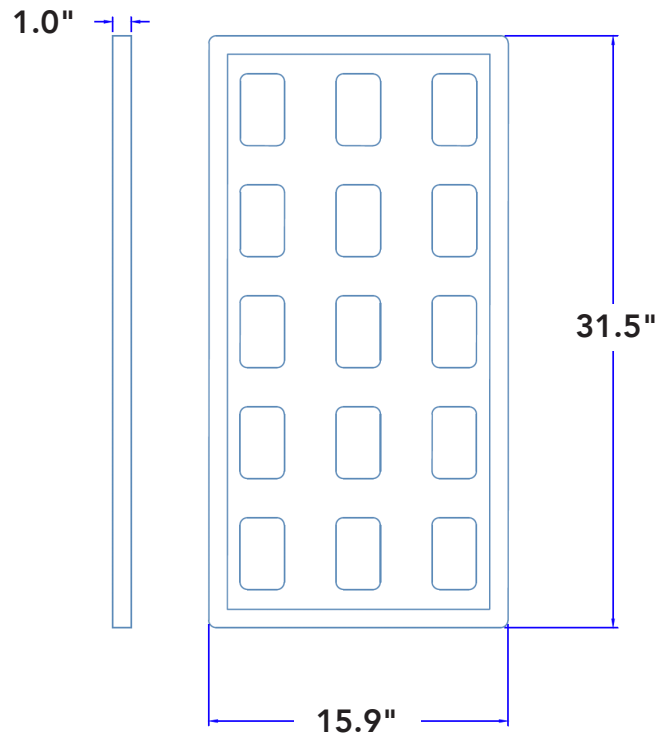


Fixture Top View



(Total fixture weight = 30lbs)

Solar Panel



- **Default Setting - No Adjustments Necessary**

The default setting is Dusk 'till Dawn @ 80% first 2 hours, 50% constant & 80% w/ motion for the rest of the night.