



OFF-GRID

LED SOLAR AREA LIGHT
8W AND 30W OPTIONS

FREE TO SHINE

The Solera Solar Lighting Area Light features an all-in-one design. The solar panel, light engine and battery are built right into the LED fixture. No need for a power source, which eliminates the need for wiring and trenching.



- 8W comparable to 70W HID
- Fully programmable via remote control w/ motion sensor and photo control
- Built-in battery power indicator
- Advanced new LiFePO4 battery lasts at least 2000 charge cycles and will last three nights with one day charge (motion sensing mode)
- Perfect for parks, parking lots, school campuses, etc.
- Dimensions (L x W x H): 8W - 20" x 12" x 3"

PART #	UPC	COMPARABLE TO	LUMENS	CCT	EPA
RP-SAL-8W-50K-SF-GY-G1	844006049805	70W HID	1600	5000K	1.824
RP-SAL-30W-50K-SF-GY-G1	844006011260	250W HID	6000	5000K	4.788
TURTLE FRIENDLY SERIES					
RP-SAL-8W-AMB-SF-GY-G1	844006024376	70W HID	284	580nm AMBER	1.824
RP-SAL-30W-AMB-SF-GY-G1	844006024383	250W HID	806	580nm AMBER	4.788



7
HRS

CHARGE TIME

UP TO
50
HRS

BATTERY LIFE

32°F
TO
149°F

BATTERY
CHARGING TEMP

-4°F TO 122°F

OPERATING TEMP

120°

BEAM ANGLE

REPLACEABLE
BATTERY

L70
>100,000

RATED LIFE

5
YEAR
WARRANTY

WARRANTY

solera-solar.com • 847.380.3540

LIGHT EFFICIENT DESIGN HEADQUARTERS 188 S. Northwest Highway • Cary, IL 60013
INNOVATION & MANUFACTURING CENTER 30 Log Bridge Road, Building 200 • Middleton, MA 01949
847.380.3540 • led-llc.com

08.06.20 Information is subject to change without notice.



PART NUMBER BUILDER

MFR	PRODUCT	WATTAGE	COLOR	BRACKET	HOUSING COLOR	GEN
RP	SAL		50K	SF	GY	G1

ORDERING EXAMPLE

RP-SAL-8W-50K-SF-GY-G1

8W
30W

SF=adjustable slip-fitter bracket GY=Grey

PLEASE NOTE, THE LEDSAL COMES STANDARD WITH THE ADJUSTABLE SLIP-FITTER BRACKET ONLY. SEE ORDERING GUIDE FOR ADDITIONAL BRACKETS AVAILABLE FOR PURCHASE.

ORDERING GUIDE

CASE QTY	QUICK SHIP	DLC	REMPHOS PART #	QUICK SHIP UPC CODE	LUMEN OUTPUT (LM)	WATTAGE (W)	LPW	WARRANTY (YRS)	RECOMMENDED MOUNTING HEIGHT (FT)
1		N/A	RP-SAL-8W-30K-SF-GY-G1	844006011277	1600	8	200	5	UP TO 15FT
1		N/A	RP-SAL-8W-40K-SF-GY-G1	844006011260	1600	8	200	5	UP TO 15FT
1	●	N/A	RP-SAL-8W-50K-SF-GY-G1	844006011260	1600	8	200	5	UP TO 15FT
1		N/A	RP-SAL-30W-30K-SF-GY-G1	844006011260	6000	30	200	5	UP TO 30FT
1		N/A	RP-SAL-30W-40K-SF-GY-G1	844006011260	6000	30	200	5	UP TO 30FT
1	●	N/A	RP-SAL-30W-50K-SF-GY-G1	844006011277	6000	30	200	5	UP TO 30FT

ADDITIONAL BRACKETS & ACCESSORIES

ADDITIONAL BRACKETS MUST BE PURCHASED SEPARATELY.

REMPHOS PART #	DESCRIPTION
RP-SAL-BKT-8W-RP-G1	Round pole bracket for 8W
RP-SAL-BKT-8W-SP-G1	Square pole bracket for 8W
RP-SAL-BKT-8W-TN-G1	Trunnion bracket for 8W
RP-SAL-BKT-30W-RP-G1	Round pole bracket for 30W
RP-SAL-BKT-30W-SP-G1	Square pole bracket for 30W
RP-SAL-BKT-30W-TN-G1	Trunnion bracket for 30W
RP-SAL-REMOTE-G1	RP-SAL-REMOTE-G1 (remote is included standard with each fixture ordered)
RP-SAL-BIRDDGUARD	Stops birds from perching, landing or roosting on the fixture



ADJUSTABLE SLIP-FITTER BRACKET (SF)
(included w/quick ship models)



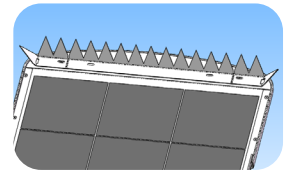
ROUND POLE BRACKET (RP)



SQUARE POLE BRACKET (SP)



TRUNNION BRACKET (TN)

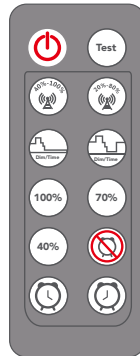
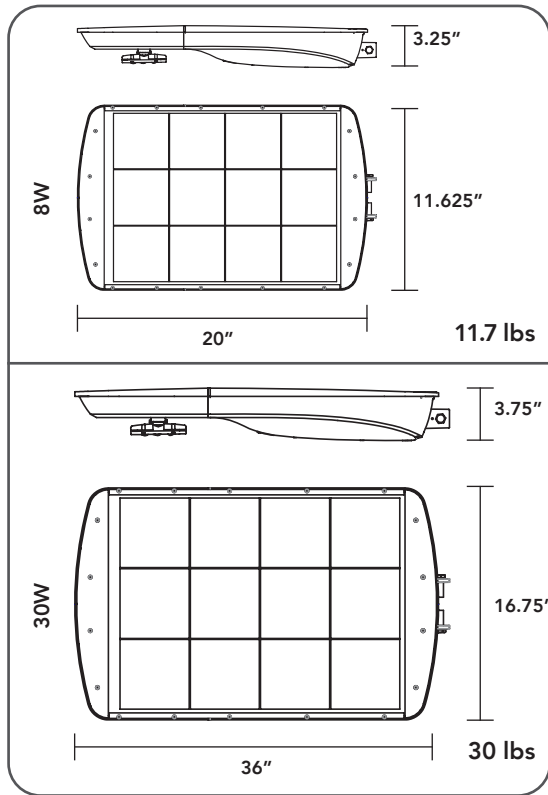


BIRD GUARD

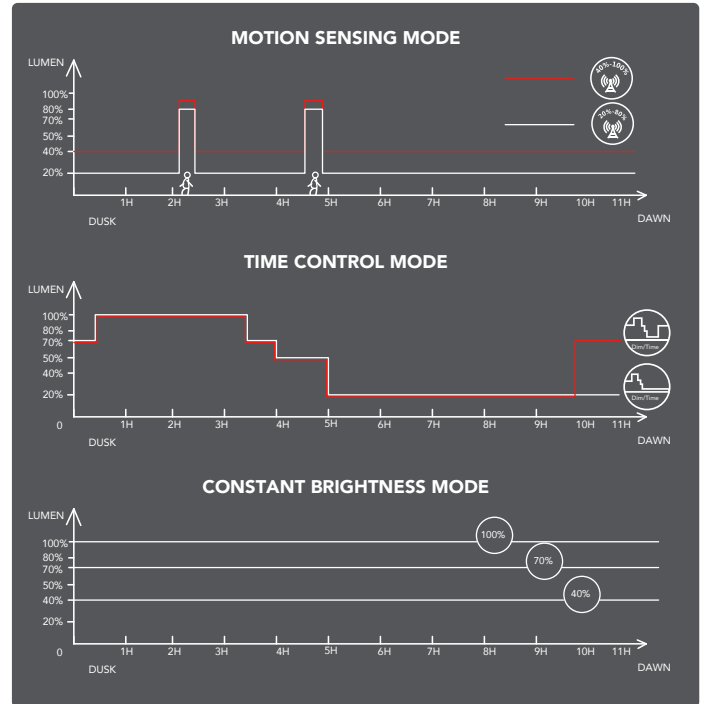
BRACKET GUIDE

ITEM	FIXED ARM MOUNTING	SLIP FITTER MOUNTING	U-TRUNNION MOUNTING	SQUARE-HOOP MOUNTING	ROUND -HOOP MOUNTING
8W SOLAR STREETLIGHT	 1.77" – 2.63"	 1.77" – 2.63"	 1. WALL MOUNTED 2.SQUARE POLE ABOVE 3.94"	 1. ROUND POLE: 1.96" – 3.54" 2.SQUARE POLE: 1.96" – 3.54"	 1. ROUND POLE: 1.96" – 4.33"
30W SOLAR STREETLIGHT			 1. WALL MOUNTED 2.SQUARE POLE ABOVE 4.72"	 1. ROUND POLE: 2.36" – 3.94" 2.SQUARE POLE: 1.97" – 3.94"	 1. ROUND POLE: 1.96" – 4.72"

solera-solar.com • 847.380.3540

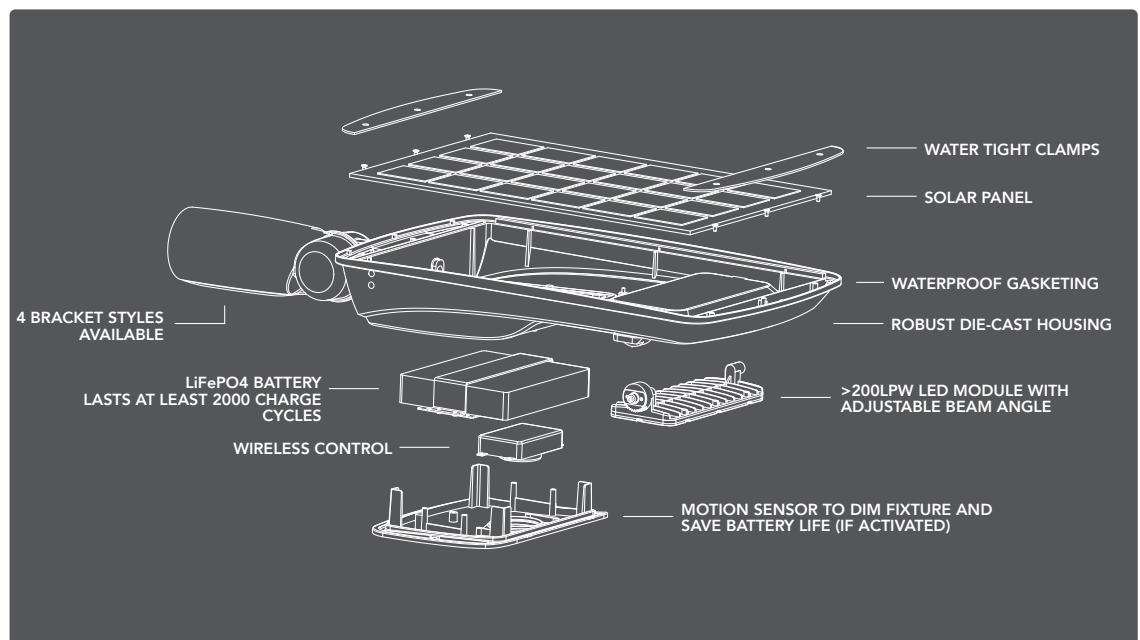
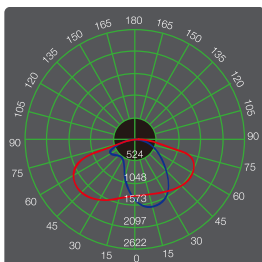
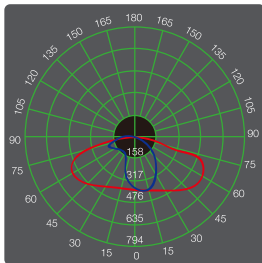


SELECT OPERATING MODE VIA REMOTE



SEE INSTRUCTION MANUAL FOR MORE DETAILS ON THE AVAILABLE PROGRAMS

PHOTOMETRICS



solera-solar.com • 847.380.3540