

LED SOLAR STEP / WALL LIGHT

User Manual



<1W / 20LM



RemPhos by **Light Efficient Design**
lighting on target

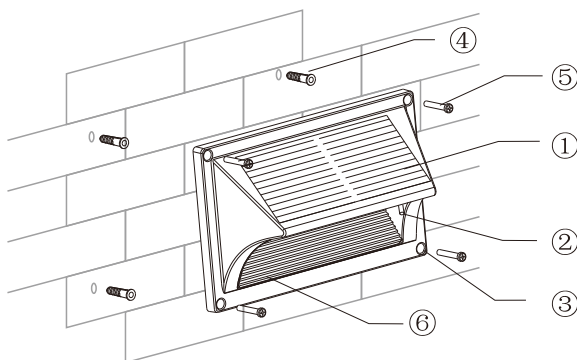
FOR LIGHT EFFICIENT DESIGN PRODUCT INFO CALL Light Efficient Design • 188 S. Northwest Highway • Cary, IL 60013 • 847.380.3540 • led-llc.com
FOR REMPHOS PRODUCT INFO CALL RemPhos by Light Efficient Design • 30 Log Bridge Road, Building 200 • Middleton, MA 01949 • 877.997.3674 • remphos.com

01.15.2019 Information is subject to change without notice.

Specification

Product Name	RP-SSL-1W-40K-BK-GI
Power/Lumen	0.2W / 20LM
Dimension	L 7.87IN x W 4.84IN x H 2.5IN
LEDS	SMD2835, 5PCS
Li-ion Battery	Lastsatleast 1500cycles, 9.25WH
Solar Panel	1W Poly Crystalline Silicon
Working Mode	Auto OFF in the daytime / Auto ON at night
Detection Angle/Area	120°/ < 16FT
Material	AL+ABS
Beam Angle	120°
IP Degree	IP65
Install Height	9-10 FT
Lifespan	35.000hrs
Warranty	3 YEARS
Packing	1*Solar Light,1*Screws Bag,1*User Manual,
Battery Charging Temp	32°F~149°F
Fixture Operating Temp	-13°F~149°F

Exploded view



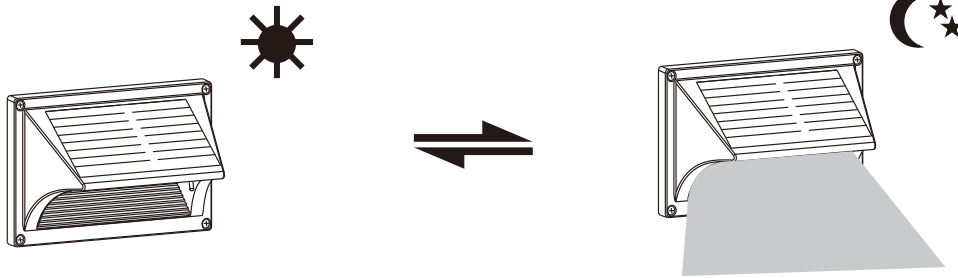
- ① Solar Panel
- ② The switch
- ③ Hole
- ④ Expansion Pillar-hinge
- ⑤ Screw
- ⑥ LED Light

RemPhos by Light Efficient Design
lighting on target

FOR LIGHT EFFICIENT DESIGN PRODUCT INFO CALL Light Efficient Design • 188 S. Northwest Highway • Cary, IL 60013 • 847.380.3540 • led-llc.com
FOR REMPHOS PRODUCT INFO CALL RemPhos by Light Efficient Design • 30 Log Bridge Road, Building 200 • Middleton, MA 01949 • 877.997.3674 • remphos.com

01.15.2019 Information is subject to change without notice.

3 Working Modes



The light is automatically off in the daytime while the solar panel charges.

The light automatically turns on at night.

Special Note

- ❖ Do not install the lamp away from the sun, under a shadow or between two buildings where the height of one building will affect how much light the product receives. Not installing with enough sunlight will lead to insufficient absorption of sunlight and insufficient brightness and time;
- ❖ Do not use non-standard installation accessories to install the lamp. This will void the warranty.
- ❖ Please be aware of your location to determine the most optimal mode for your satisfaction.

RemPhos by Light Efficient Design
lighting on target

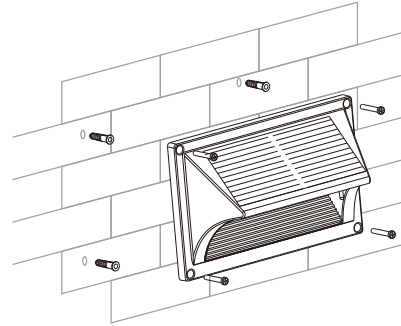
FOR LIGHT EFFICIENT DESIGN PRODUCT INFO CALL Light Efficient Design • 188 S. Northwest Highway • Cary, IL 60013 • 847.380.3540 • led-llc.com
FOR REMPHOS PRODUCT INFO CALL RemPhos by Light Efficient Design • 30 Log Bridge Road, Building 200 • Middleton, MA 01949 • 877.997.3674 • remphos.com

01.15.2019 Information is subject to change without notice.

Installation

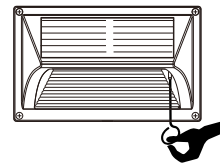
1. Drill the hole according to the scale plate;
2. Fix the lamp on the wall with screw.

Tips: Keep the solar panel facing the sun to ensure a quality charge.



How to unlock the working system?

Please use the supplied key pin to click the ON/OFF button from hole to turn on the light. The light will be off while click the ON/OFF button one more time.



Notice & Warning

- ❖ Keep the device away from fire and oil to avoid any fire or explosion;
- ❖ No one except professional technicians should attempt to disassemble the light in order to avoid damaging the light;
- ❖ It is strictly forbidden to disassemble the battery for personal use;
- ❖ If the lamp doesn't get charge for 3 days, the battery maybe out of power, you have to charge it under bright sunlight;
- ❖ In order to ensure that the lamp works in an ideal state for a long time, please clean the solar panel regularly according to the local dust conditions, our suggestion is one time at least half a year.

RemPhos by Light Efficient Design
lighting on target

FOR LIGHT EFFICIENT DESIGN PRODUCT INFO CALL Light Efficient Design • 188 S. Northwest Highway • Cary, IL 60013 • 847.380.3540 • led-llc.com
FOR REMPHOS PRODUCT INFO CALL RemPhos by Light Efficient Design • 30 Log Bridge Road, Building 200 • Middleton, MA 01949 • 877.997.3674 • remphos.com

01.15.2019 Information is subject to change without notice.