



INSTALLATION, OPERATION AND MAINTENANCE INSTRUCTIONS

SL-SAL-60L-FC-G3



SOLAR AREA LIGHT

PRIOR TO INSTALLATION, PLEASE READ THE ENTIRE INSTALLATION INSTRUCTIONS

CAUTION –This manual contains important instructions that shall be followed during installation, operation and maintenance of the unit. Installation requires basic knowledge of solar lighting, if not qualified, do not attempt installation and contact qualified personnel.

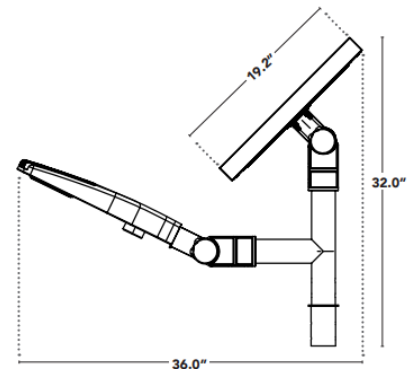
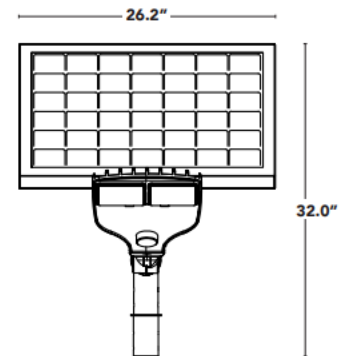
CAUTION – Installations shall comply with any local rules and regulations and be performed by qualified professional.

CAUTION – This equipment is mounted to the ground where failure to secure properly could lead to property damage or injury. Make sure to follow local and regional regulations regarding soil conditions, wind, snow loading and other mechanical or structural issues.



PRODUCT INFORMATION

ATTRIBUTE	VALUE
MODEL	SL-SAL-60L-OG-T3-G3
LIGHT OUTPUT	UP TO 6000 LUMENS
DIMENSIONS	36" X 26" X 32" (TYPICAL INSTALLATION)
LED RATED LIFE	>50,000 HRS
BATTERY	LiFePO4 12.8V / 23.5AH
SOLAR PANEL	55W Monocrystalline
OPERATION	PROGRAMMABLE WITH MOTION SENSOR AND TIMER. UP TO 9 SETPOINTS.
CCT	ADJUSTABLE 3000K / 4000K / 5000K
MATERIAL	MULTIPLE
CHARGING TIME	6 Hours of full sun
OPTICS	T3 OPTICS STANDARD.
INGRESS PROTECTION	IP65
WEIGHT / EPA	45 lbs / EPA 4.5
BATTERY TEMP	Charging -4°F – 140°F Discharging -40°F – 140°F





INSTALLATION, OPERATION AND MAINTENANCE INSTRUCTIONS

SL-SAL-60L-FC-G3



SOLAR AREA LIGHT

SOLAR INSTALLATION NOTES

- 1) The performance of Solar Lights will depend on the Environment, Setup, Maintenance and other factors. The output may have to be adjusted to lower levels under certain conditions. Solar lights are generally not designed to operate at full power all night.
- 2) The Battery on Solar lights will deteriorate if the product is in storage for an extended period of time. Typically the battery will maintain good performance for 3-6 months after purchase. If the light is to be stored longer than 6 months, then the light will need to be recharged.
- 3) The Solar Panel on the light fixture also acts as a Photocell. If there is a light shining on the solar panel during night-time hours, the light will not operate.
- 4) Solar lights will operate under many conditions, but may not operate as desired under adverse conditions. In some cases, the power output may need to be reduced during winter months.
- 5) Generally the solar panels are mounted facing South and inclined at a 45 degree angle. This will typically yield the best results and allow the rain to clean the Solar panels. However, if solar panels are not clean, they will not charge the system properly. For additional information, please see the Solar Best Practices Guide on the Solera Website under Resources / Marketing Materials. In rare occasions, solar panels will need to be cleaned with water and a non-abrasive cloth.
- 6) It is necessary to check condition of the mounting pole or structure as well as the condition and tightness of all bolts, brackets etc. at routine intervals. This will depend on the type of installation and the conditions at the site and is the responsibility of the installer or site maintenance.
- 7) Solar lights may not be fully charged when first installed. Please allow 2-3 days of operation for the light to start operating normally.
- 8) Solar lights come programmed with the default program. This has 2 hours at 80% constant followed by Sensor mode for the rest of the night. In sensor mode, the fixture operates at 20% light output when no motion is detected. When motion is detected, the output increases to 80% and remains at that level until no motion is detected for 1 minute. If alternate settings are required, please contact tech support.
- 9) Solar lights are heavy and have a large Effective Projected Area (EPA). It is the responsibility of the contractor to ensure that the pole or selected mounting structure is appropriate for the light fixtures selected, wind zone and any other environmental and site-specific factors.

PRE-INSTALLATION CHECKLIST

- 1) Select a location that receives plenty of direct, unobstructed sunlight. Avoid areas with shading from buildings, trees or other objects.
- 2) Select a location where artificial light does not shine on the solar panel at night.
- 3) Check that the CCT selection is in the desired position. (See CCT Adjustment instructions)
- 4) Confirm that the pole or structure will support the weight and EPA of the light.
- 5) Confirm that the pole or structure has a 2 3/8" tenon to mount the light.
- 6) If any accessories such as shields or optional optics need to be installed, please install before mounting the light. (See instructions for shield or optic installation)



OFF-GRID

SOLAR AREA LIGHT

CONTENTS

The SL-SAL-60L-FC-G3 carton contains three major components as shown in the figure on the right and described in the list below.

- * Installation Instructions
- 1 pc Area Light Head (includes 4 mounting bolts)
- 1 pc Solar Panel with integral battery and slip-fitter (Includes 4 mounting bolts)
- 1 pc T-Bracket with 8 Mounting Bolts (M8 x 1.25mm thread)

Note:

Remote control is not included.
If needed, a remote control is available separately.

TOOLS AND MATERIALS NEEDED

- 3mm Metric Allen Wrench
- 6mm Metric Allen Wrench
- 8mm Metric Allen Wrench
- #2 Philips Screwdriver
- Electrical Tape

CCT ADJUSTMENT

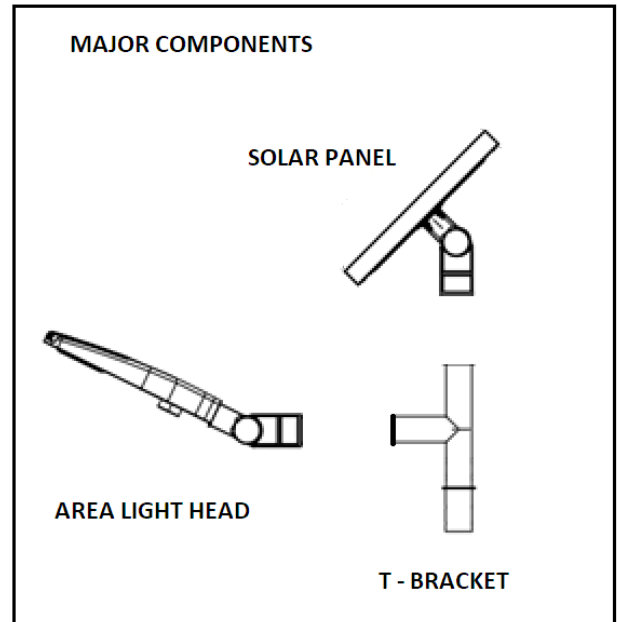
The SL-SAL-G3 is easily adjusted to 3000K, 4000K or 5000K output by a switch.

- 1) Perform this operation in a clean and dry environment (preferably on the bench, before installing the light)
- 2) Use a 3mm allen wrench to loosen 4 screws, and then open driver compartment (see Figure 1)
- 3) Adjust the 3-position switch to the desired CCT (See Figure 2)
- 4) Ensure that all wires and connectors are safely positioned to close the door.
- 5) Close driver compartment door and confirm that the gasket is in place all the way around the compartment
- 6) Tighten all 4 screws securely

Figure 1:



Figure 2:





SOLAR AREA LIGHT

LENS CHANGE INSTRUCTIONS

The SL-SAL-G3 is generally equipped with type 3 optic lenses when shipped. These lenses can be replaced with type 2, 3, 4 or 5 optic lenses. Lenses can be purchased separately.

- 1) Perform this operation in a clean and dry environment (preferably before installing the light)
- 2) Clean the lens and fixture with water and a soft cloth. (not necessary if installing on a new light)
- 3) Using a #2 Philips screwdriver, remove the 8 screws around the lens (see Figure 3)
- 4) Remove the old lens
- 5) Ensure that the gasket is correctly positioned (see Figure 4)
- 6) Install the new lens ensuring that the arrow is pointing away from the pole, and that the gasket is seated properly around the entire lens (see Figure 5)
- 7) Re-install the 8 screws.
- 8) Repeat these steps for the other side

Figure 3:



Figure 4:

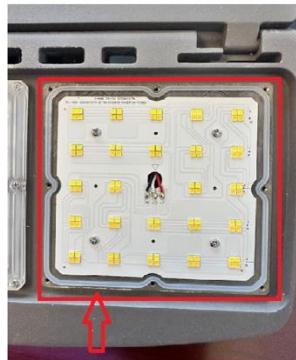


Figure 5:



SHIELD INSTALLATION

If desired, optional shields may be installed to control the light distribution. These can be purchased separately.

- 1) Perform this operation in a clean and dry environment
- 2) Clean the lens and fixture with water and a soft cloth. (not necessary if installing on a new light)
- 3) Using a #2 Philips screwdriver remove screws circled in red. See Figure 6 for full cutoff shield and Figure 7 for partial cutoff shield. Note: Partial cutoff shield can be installed in 2 orientations for back-light shield or visor.
- 4) Ensure that the gasket is correctly positioned
- 5) Install shield and reinstall screws, ensuring that the gasket remains in the correct position.

Figure 6: Full Cutoff Shield



Figure 7: Partial Cutoff Shield





INSTALLATION, OPERATION AND MAINTENANCE INSTRUCTIONS

SL-SAL-60L-FC-G3



SOLAR AREA LIGHT

BATTERY REPLACEMENT

Note: The battery is integrated into the back of the solar panel. The solar panel and battery will be replaced as a unit.

- 1) Remove the 4 screws holding the slip-fitter for the solar panel
- 2) Remove Solar panel and dis-connect the cable
- 3) Safely raise new solar panel into position, connect cable and place slip-fitter on the bracket. Make sure that the cable does not get pinched.
- 4) Align solar panel (rotation) and then install at tighten the 4 locking screws. Ensure that the solar panel is properly aligned and tilt is appropriately adjusted. For North America, typically the solar panels will face South and be inclined at 45 degrees.
- 5) Loosen the slip fitter nut and adjust the tilt of the solar panel. Tighten the screw to lock in the desired tilt.

MAINTENANCE INSTRUCTIONS

The maintenance interval will depend on the environment and site-specific factors. The lights and mounting hardware should be checked and cleaned at least once per year.

- 1) The solar panel should be cleaned of dust and debris using water and a non-abrasive cloth.
- 2) On the T Bracket, check the mounting screws to ensure they are properly installed and tight.
- 3) Check and tighten all mounting bolts for the area light head, slip fitter and bracket (to tenon)
- 4) Confirm that the pole, tenon adapter, and/or mounting structure are in good condition.
- 5) Ensure that the foundation or mounting surface is in good condition.
- 6) Visually confirm that the solar panel is unobstructed and that no artificial light will shine on the solar panels.
(See page 2)



INSTALLATION, OPERATION AND MAINTENANCE INSTRUCTIONS

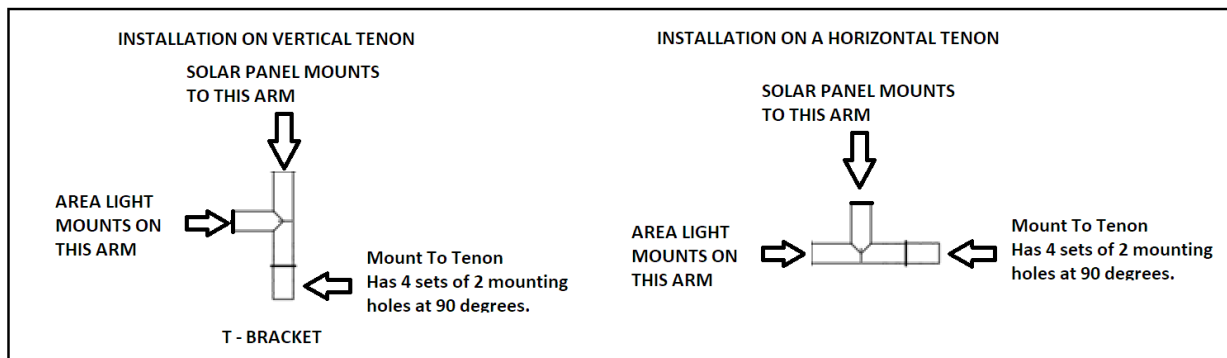
SL-SAL-60L-FC-G3



SOLAR AREA LIGHT

INSTALLATION INSTRUCTIONS

- 1) Installation should only be carried out by qualified personnel under safe conditions.
- 2) Read entire instructions before installation. Ensure that all items listed on page 2 have been completed or accounted for.
- 3) Please confirm that the CCT is set, and that the appropriate lenses and/or shielding has been installed on the light fixture prior to installation.
- 4) On the T-Bracket, there is a thin “pull wire” to help with installation.
- 5) The SL-SAL-60L-FC-G3 can be installed on a vertical or horizontal tenon. Please see figure below.
- 6) Select the proper position for the Area Light Head and position it close to the bracket.
- 7) Detach one side of the pull wire and attach to the area light cable using electrical tape
- 8) Pull the wire through the tenon where the solar panel mounts and pull area light onto the arm. Remove the pull wire and tape.
- 9) Tighten the 4 screws on the area light to firmly hold it in place.
- 10) Attach the cable from the solar panel to the area light cable ensuring that the connectors are properly aligned. Tighten the connector firmly to ensure a water-tight seal.
- 11) As the solar panel is brought into position, loop the wire so that it fits back into the T Bracket.
- 12) Install the slip fitter so that it bottoms out on the T bracket but does not pinch the wire.
- 13) Tighten the bolts to securely hold the solar panel to the bracket.
- 14) Check the light prior to installation.
 - 1) When the solar panel is exposed to light, there should be a red light blinking in the sensor window.
 - 2) When the solar panel is covered, the area light should come on within 1 minute.
 - 3) After step 2, when the solar panel is exposed to light, the LED light should turn off within 1 minute and the red LED in the sensor window should be blinking.
- 15) Safely raise the assembled light into position and place it on the tenon. Tighten all of the mounting bolts.
- 16) Adjust light head and solar panel as needed. Tighten all adjustment bolts.
- 17) Double check that all mounting and adjusting bolts are tight
- 18) The light is installed and will operate on the default program when it gets dark.





INSTALLATION, OPERATION AND MAINTENANCE INSTRUCTIONS

SL-SAL-60L-FC-G3



SOLAR AREA LIGHT

OPERATING NOTES

- 1) Please see the image below in reference to the Charge LED and Sensor Window
- 2) The Charge LED will operate as follows
 - 1) Fast Blink – Boost Charging. Battery level is low, some functionality will be limited until battery recharges
 - 2) Slow Blink – Charging. Normal Charging State.
 - 3) Solid – Battery has reached maximum charge.
- 3) The lights will come on at dusk, based on the light level detected by the solar panels.
- 4) The LED panel will turn off at dawn, as the light level detected by the solar panels increases.
- 5) There is a standard 1-minute sensor dwell time when the light is operating in sensor mode.



CONTACT INFORMATION

SALES SUPPORT:

Please contact your Distributor, Rep, or LED Regional Sales Manager.

Light Efficient Design Sales can be reached at (847) 380-3540 and ask for sales or email: sales@led-llc.com

TECHNICAL SUPPORT:

Technical support is available, please email solera-ts@led-llc.com

Please include the model number, number of lights, installation date and any other pertinent information.