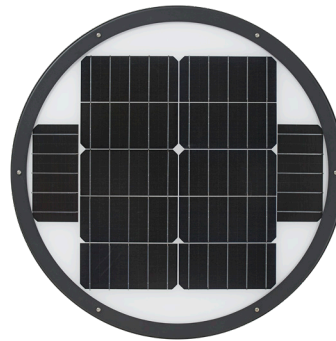




all-in-one
Design ↓



All-in-one design with solar panel, light engine and battery built into the fixture. Completely off-grid, no need for wiring or trenching. Easy to install on a standard 3 inch pole w/ supplied screws.

- Comparable to 150W HID.
- Perfect for parks, city streets, school campuses and any pedestrian walkway.
- Automatically turns on at night and can be set to different operating modes including constant output and bi-level dimming with motion sensing.
- Constructed of stong & lightweight aluminum alloy.
- 3.2V/50AH LiFePO4 battery.
- 165 lumens per watt.
- MPPT controller.



BATTERY CHARGE TIME



BATTERY CHARGE TEMP



BATTERY LIFE*



REPLACEABLE BATTERY



BEAM ANGLE



OPERATING TEMP



50,000hrs RATED LIFE

PART #	UPC	COMPARES TO	LUMENS	COLOR	LISTINGS
SL-CPT-25L-30K-BK-G1	844006088385	150W	2500	3000K	CE FC
SL-CPT-25L-40K-BK-G1	844006088392			4000K	

ACCESSORIES

PART #	DESCRIPTION	OPERATING MODES
SL-CPT-BATTERY	REPLACEMENT BATTERY	 CONSTANT BRIGHTNESS  TIMER  MOTION SENSING

* ON 2HR + SENSOR MODE.

Light Efficient Design

847.380.3540 • led-llc.com • sales@led-llc.com

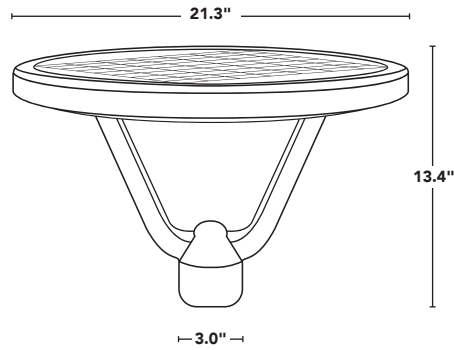


PART NUMBER BUILDER

MFR	PRODUCT	LUMENS	COLOR TEMP	FIXTURE COLOR	GENERATION
SL	CPT	25L		BK	G1
(SOLERA)	(CIRCULAR POST TOP)	(2500 LUMENS)	30K (3000K) 40K (4000K)	(BLACK)	(GENERATION 1)

EXAMPLE PART NUMBER SL-CPT-25L-30K-BK-G1

DIMENSIONS



Light Efficient Design

847.380.3540 • led-llc.com • sales@led-llc.com